

# CURRENT TRANSFORMER

Model 143

Window Diameter 7.31"

**Application:**  
Relaying and Metering

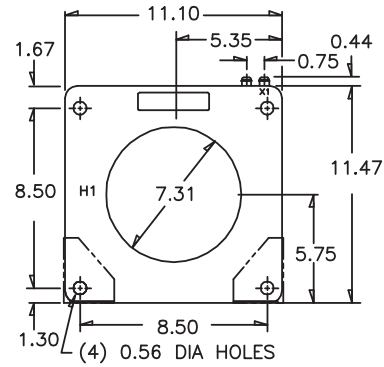
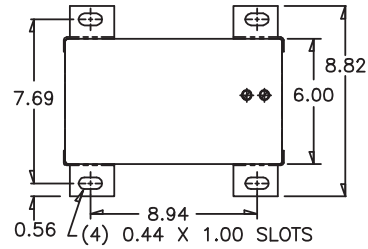
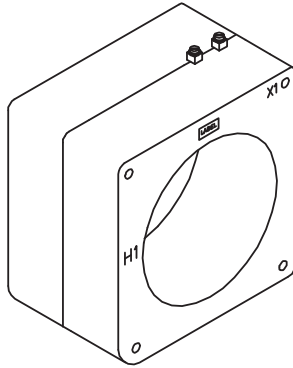
**Frequency:**  
50 - 400 Hz

**Insulation Level:**  
600 Volts, 10 kv BIL full wave

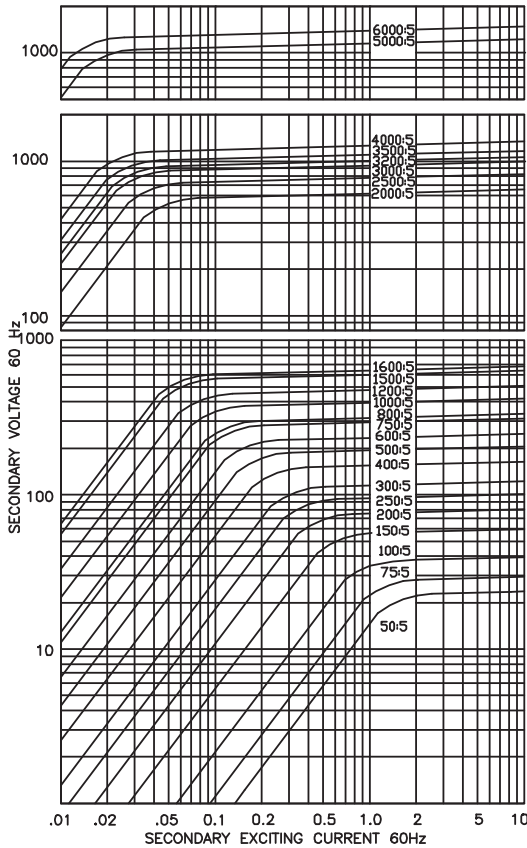


E228202

- Terminals are brass screws No. 10 - 32 UNF with one flatwasher and lockwasher.
- Multi-ratios available on request.
- Order mounting bracket kit No. 143-CR-CL.
- Approximate weight: 60 lbs



EXCITATION CURVE



CATALOG NUMBER	CURRENT RATIO	RELAY CLASS	ANSI METERING CLASS AT 60 Hz					SECONDARY WINDING RESISTANCE (OHMS @ 75 °C)	CONTINUOUS THERMAL RATING FACTOR	
			B0.1	B0.2	B0.5	B0.9	B1.8		@30°C	@55°C
143-500	50:5	C20	4.8	4.8	-	-	-	0.014	2.0	2.0
143-750	75:5	C20	2.4	2.4	-	-	-	0.042	2.0	2.0
143-101	100:5	C20	1.2	2.4	4.8	4.8	-	0.056	2.0	2.0
143-151	150:5 *	C20	0.6	0.6	1.2	2.4	4.8	0.121	2.0	2.0
143-201	200:5 *	C50	0.3	0.3	0.6	1.2	2.4	0.161	2.0	2.0
143-251	250:5 *	C50	0.3	0.3	0.6	1.2	2.4	0.175	2.0	2.0
143-301	300:5 *	C100	0.3	0.3	0.3	0.6	1.2	0.241	2.0	2.0
143-401	400:5 *	C100	0.3	0.3	0.3	0.3	0.6	0.322	2.0	2.0
143-501	500:5 *	C100	0.3	0.3	0.3	0.3	0.6	0.441	2.0	2.0
143-601	600:5 *	C200	0.3	0.3	0.3	0.3	0.3	0.530	2.0	1.5
143-751	750:5 *	C200	0.3	0.3	0.3	0.3	0.3	0.662	2.0	1.5
143-801	800:5 *	C200	0.3	0.3	0.3	0.3	0.3	0.706	2.0	1.5
143-102	1000:5 *	C200	0.3	0.3	0.3	0.3	0.3	0.883	1.5	1.33
143-122	1200:5 *	C400	0.3	0.3	0.3	0.3	0.3	1.059	1.5	1.0
143-152	1500:5 *	C400	0.3	0.3	0.3	0.3	0.3	1.324	1.5	1.0
143-162	1600:5 *	C400	0.3	0.3	0.3	0.3	0.3	1.413	1.33	1.0
143-202	2000:5 *	C400	0.3	0.3	0.3	0.3	0.3	1.678	1.33	1.0
143-252	2500:5 *	C400	0.3	0.3	0.3	0.3	0.3	2.097	1.0	0.8
143-302	3000:5 *	C800	0.3	0.3	0.3	0.3	0.3	2.516	1.0	0.8
143-322	3200:5 *	C800	0.3	0.3	0.3	0.3	0.3	2.684	1.0	0.8
143-352	3500:5 *	C800	0.3	0.3	0.3	0.3	0.3	2.936	1.0	0.8
143-402	4000:5 *	C800	0.3	0.3	0.3	0.3	0.3	3.355	1.0	0.6
143-502	5000:5 *	C800	0.3	0.3	0.3	0.3	0.3	3.983	1.0	0.6
143-602	6000:5 *	C800	0.3	0.3	0.3	0.3	0.3	4.780	0.8	0.6